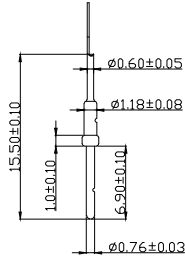
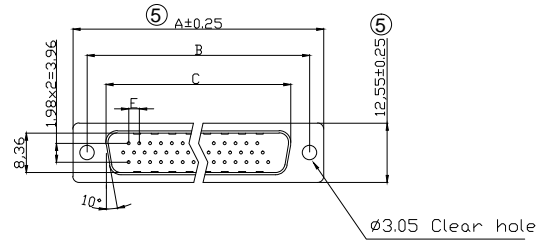
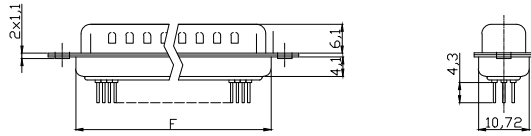


Male



Male Contact Drawing ⑦



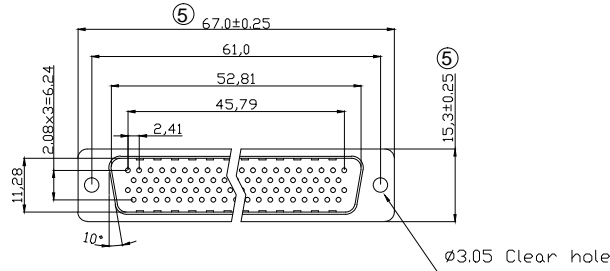
NOTES:

MATERIAL

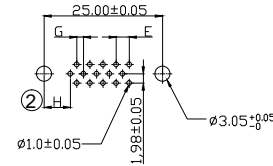
1. Insulator Material: Glass-filled thermoplastic PBT, UL94V-0
 2. Contact Material: Copper alloy, Gold flash selective gold
 3. Shell: SPCC
 4. Clinch Nut: Brass, Nickel Plated
 5. Crewlock: Copper Alloy, Nickel Plated
- ELECTRICAL
1. Current Rating : 3AMP
 2. Voltage Rating : 250V AC/rms 60Hz
 3. Contact Resistance: 20mΩ Max at 100 mA DC
 4. Insulation Resistance: 1000MΩ at 500 VDC
 5. Withstand Voltage: 500V AC/rms 60Hz for 1 minute
 - ① 6. Operating Temperature: -55°C+105°C
 - ③ 7. Solder Temperature: 220°C 5s max.

Order Code:

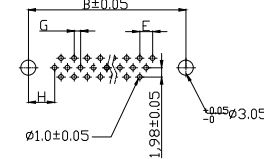
A-HD x xx PP/Z
 Contact style: F - Female, S - Male
 No. of Contacts: 15 / 26 / 44 / 62 / 78
 Standard: Quality class III



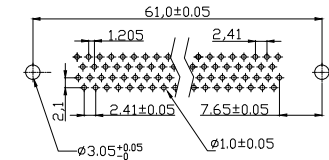
P.C.B LAYOUT PATTERN



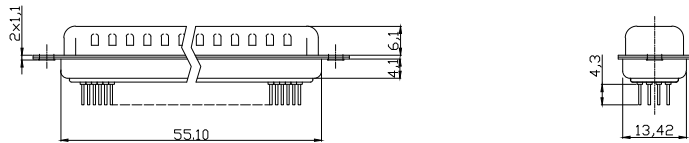
15 POSITION MALE



26,44,62 POSITION MALE



78 POSITION MALE/FEMALE



78 Positions

Dimensions

Positions	A	B	C	E	F	G	H
15	30.81	24.99	16.92	2.29	19.20	1.145	7.04
26	39.20	33.30	25.25	2.29	27.70	1.145	6.88
44	53.05	47.04	38.96	2.29	41.10	1.145	6.88
62	69.40	63.50	55.42	2.41	57.30	1.205	7.00

RoHS compliant

Unit: mm



File No.: E198287

Scale Free

TOLERANCE

X. ±0.38

X.X ±0.25

X.XX ±0.13

DIM TOL

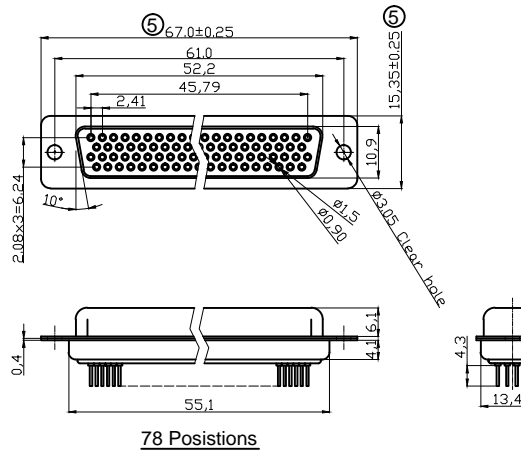
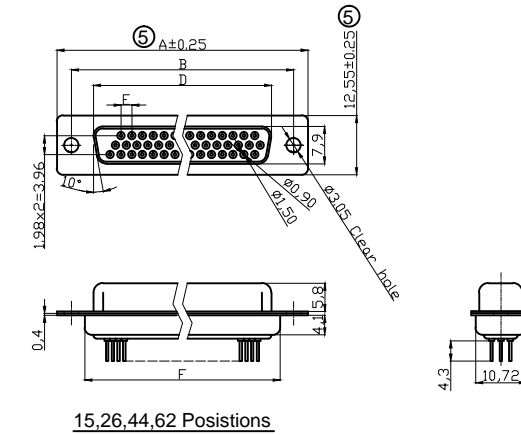
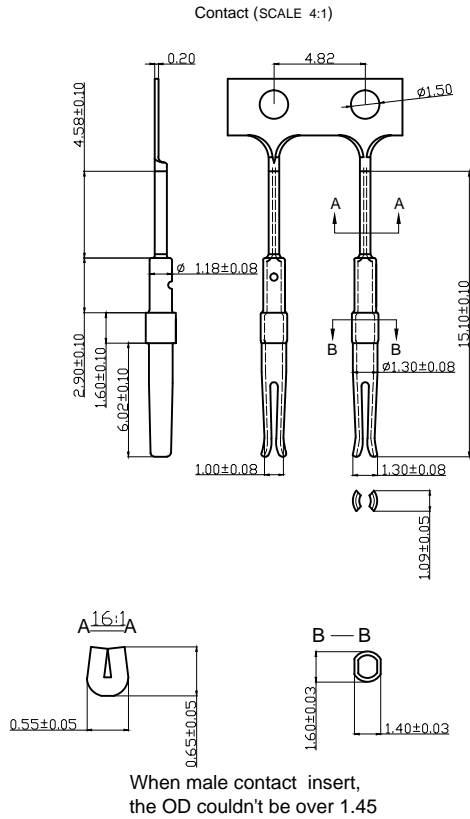
X.° ±3°

X.X° ±1.0°

Angle TOL

Id.	Modification	Date	Name	ASSMANN WSW components			Customer-No.	Sheet 1/8
⑦	Correct the male terminal on page 1	11.07.2024	Peter				Description: D-Sub Connector Male 180° THT	
⑥	Add the miss dimension	24.08.2022	Daniel	Drawn	22.11.2019	Carson		
⑤	Add the dimension tolerance	30.03.2022	Peter	Approved	11.07.2024	Peter		
④	Add page 3-8	22.11.2019	Carson				ASSMANN WSW-No. A-HD x xx PP/Z	
③	Add solder temperature	15.04.2019	Xavier					
②	Correct the dimensioning of "H"	27.10.2016	Amy				Drawing-No. ASS 4896 CO rev07	

Female



NOTES:

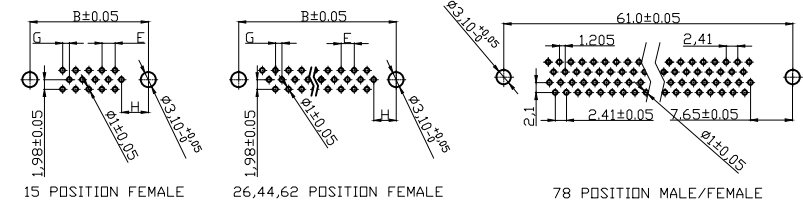
MATERIAL

- 1. Insulator Material: Glass-filled thermoplastic PBT, UL94V-0
- 2. Contact Material: Copper alloy, Gold flash selective gold
- 3. Shell: Steel, 100u" Tin over 50u" Min Copper

ELECTRICAL

- 1. Current Rating : 3AMP
- 2. Voltage Rating : 250V AC/rms 60Hz
- 3. Contact Resistance: 20mΩ Max at 100 mA DC
- 4. Insulation Resistance: 1000MΩ at 500 VDC
- 5. Withstand Voltage: 500V AC/rms 60Hz for 1 minute
- ⑥ Operating Temperature: -55°C+105°C
- ⑦ Solder Temperature: 220°C 5s max.

P.C.B LAYOUT PATTERN



Dimensions

Positions	A	B	D	E	F	G	H
15	30.81	24.99	16.33	2.29	19.20	1.145	7.04
26	39.20	33.30	24.70	2.29	27.70	1.145	6.88
44	53.05	47.04	38.40	2.29	41.10	1.145	6.88
62	69.40	63.50	54.80	2.41	57.30	1.205	7.00

RoHS compliant

Unit: mm



File No.: E198287

Scale	Free
TOLERANCE	
X.	±0.38
X.X	±0.25
X.XX	±0.13
DIM	TOL
X.°	±3°
X.X°	±1.0°
Angle	TOL

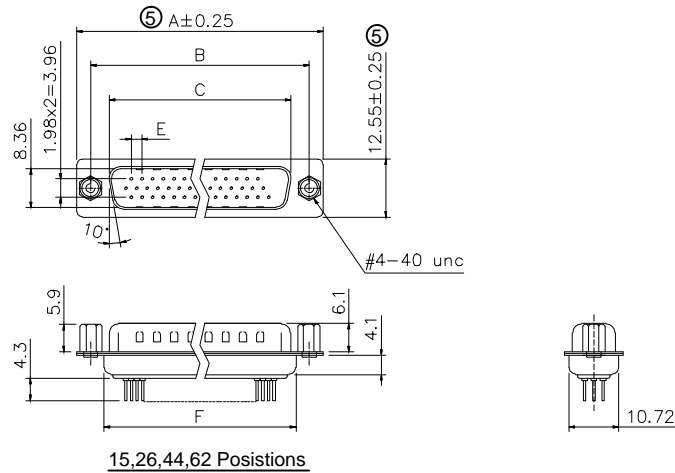
Id.	Modification	Date	Name
⑦	Correct the male terminal on page 1	11.07.2024	Peter
⑥	Add the miss dimension	24.08.2022	Daniel
⑤	Add the dimension tolerance	30.03.2022	Peter
④	Add page 3-8	22.11.2019	Carson
③	Add solder temperature	15.04.2019	Xavier
②	Correct the dimensioning of "H"	27.10.2016	Amy



Description: D-Sub Connector Female 180° THT	
ASSMANN WSW-No. A-HD x xx PP/Z	
Drawing-No. ASS 4896 CO	rev07
Customer-No.	Sheet 2/8

Male

④



NOTES:

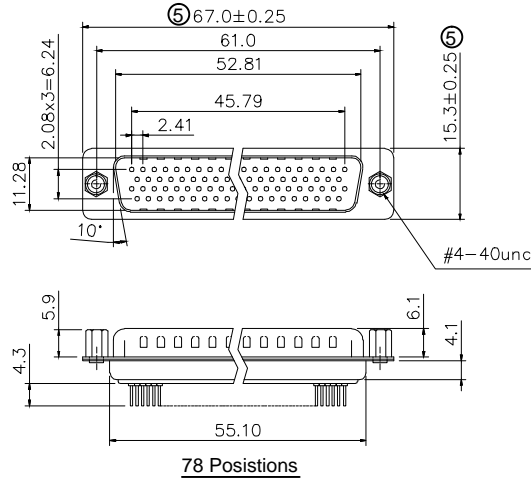
MATERIAL

- 1. Insulator Material: Glass-filled thermoplastic PBT, UL94V-0
 - 2. Contact Material: Copper alloy, Gold flash selective gold
 - 3. Shell: Steel, 100u" Tin over 50u" Min Copper
 - 4. Clinch Nut: Brass, Nickel Plated
- ELECTRICAL
- 1. Current Rating : 3AMP
 - 2. Voltage Rating : 250V AC/rms 60Hz
 - 3. Contact Resistance: 20mΩ Max at 100 mA DC
 - 4. Insulation Resistance: 1000MΩ at 500 VDC
 - 5. Withstand Voltage: 500V AC/rms 60Hz for 1 minute
 - 6. Operating Temperature: -55°C+105°C
 - 7. Solder Temperature: 220°C 5s max.

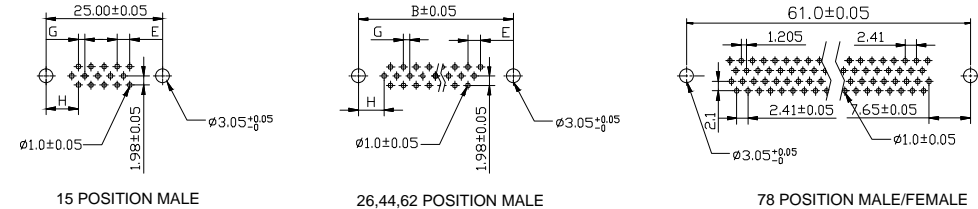
Order Code:

A-HD x xx PP/Z-UNC1

Contact style: F - Female, S - Male
No. of Contacts: 15 / 26 / 44 / 62 / 78
Standard: Quality class III



P.C.B LAYOUT PATTERN



Dimensions

Positions	A	B	C	E	F	G	H
15	30.81	24.99	16.92	2.29	19.20	1.145	7.04
26	39.20	33.30	25.25	2.29	27.70	1.145	6.88
44	53.05	47.04	38.96	2.29	41.10	1.145	6.88
62	69.40	63.50	55.42	2.41	57.30	1.205	7.00

RoHS compliant

Unit: mm



File No.: E198287

Scale	Free
TOLERANCE	
X.	±0.38
X.X	±0.25
X.XX	±0.13
DIM	TOL
X.°	±3°
X.X°	±1.0°
Angle	TOL

Id.	Modification	Date	Name
⑦	Correct the male terminal on page 1	11.07.2024	Peter
⑥	Add the miss dimension	24.08.2022	Daniel
⑤	Add the dimension tolerance	30.03.2022	Peter
④	Add page 3-8	22.11.2019	Carson
③	Add solder temperature	15.04.2019	Xavier
②	Correct the dimensioning of "H"	27.10.2016	Amy



Description: D-Sub Connector Male 180° THT #4-40UNC Nut	
ASSMANN WSW-No. A-HD x xx PP/Z-UNC1	
Drawing-No. ASS 4896 CO	rev07
Customer-No.	Sheet 3/8

1

2

3

4

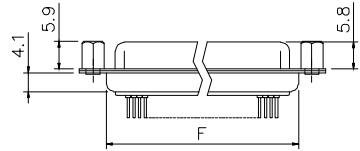
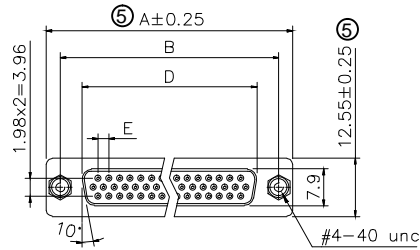
5

6

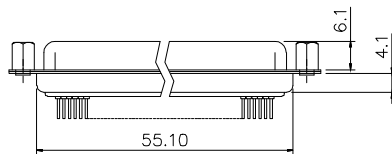
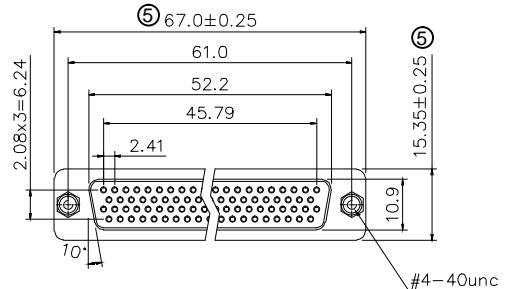
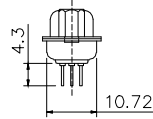
7

Female

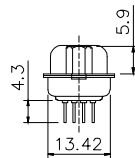
④



15,26,44,62 Positions



78 Positions



NOTES:

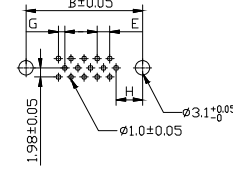
MATERIAL

- 1. Insulator Material: Glass-filled thermoplastic PBT, UL94V-0
- 2. Contact Material: Copper alloy, Gold flash selective gold
- 3. Shell: Steel, 100u" Tin over 50u" Min Copper
- 4. Clinch Nut: Brass, 100u" min Nickel Plated

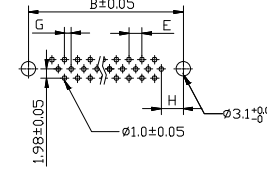
ELECTRICAL

- 1. Current Rating : 3AMP
- 2. Voltage Rating : 250V AC/rms 60Hz
- 3. Contact Resistance: 20mΩ Max at 100 mA DC
- 4. Insulation Resistance: 1000MΩ at 500 VDC
- 5. Withstand Voltage: 1000V AC/rms 60Hz for 1 minute
- 6. Operating Temperature: -55°C+105°C
- 7. Solder Temperature: 220°C 5s max.

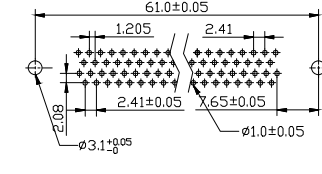
P.C.B LAYOUT PATTERN



15 POSITION FEMALE



26,44,62 POSITION FEMALE



78 POSITION MALE/FEMALE

Dimensions

Positions	A	B	D	E	F	G	H
15	30.81	24.99	16.33	2.29	19.20	1.145	7.04
26	39.20	33.30	24.70	2.29	27.70	1.145	6.88
44	53.05	47.04	38.40	2.29	41.10	1.145	6.88
62	69.40	63.50	54.80	2.41	57.30	1.205	7.00

RoHS compliant

Unit: mm



File No.: E198287

Scale Free ⑦

TOLERANCE ⑥

X. ±0.38

X.X ±0.25

X.XX ±0.13

DIM TOL ③

X.° ±3°

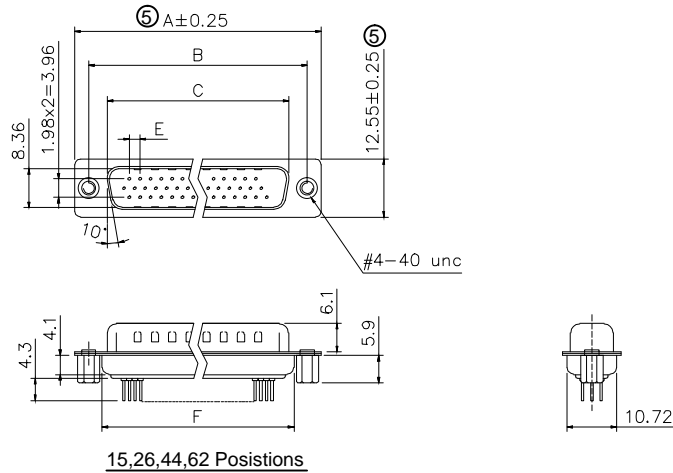
X.X° ±1.0° ②

Angle TOL

⑦	Correct the male terminal on page 1	11.07.2024	Peter		Date	Name	Description: D-Sub Connector Female 180° THT #4-40UNC Nut
⑥	Add the miss dimension	24.08.2022	Daniel	Drawn	22.11.2019	Carson	
⑤	Add the dimension tolerance	30.03.2022	Peter	Approved	11.07.2024	Peter	
④	Add page 3-8	22.11.2019	Carson				ASSMANN WSW-No. A-HD x xx PP/Z-UNC1
③	Add solder temperature	15.04.2019	Xavier				Drawing-No. ASS 4896 CO
②	Correct the dimensioning of "H"	27.10.2016	Amy				rev07
Id.	Modification	Date	Name	Customer-No.	Sheet 4/8		

Male

④



15,26,44,62 Positions

NOTES:

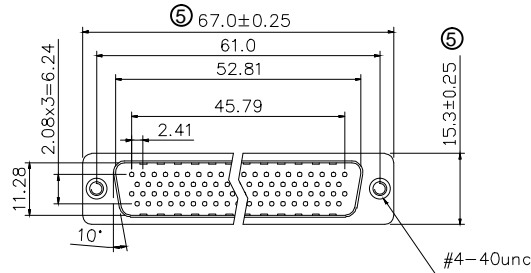
MATERIAL

- 1. Insulator Material: Glass-filled thermoplastic PBT, UL94V-0
 - 2. Contact Material: Copper alloy, Gold flash selective gold
 - 3. Shell: Steel, 100u" Tin over 50u" Min Copper
 - 4. Clinch Nut: Brass, Nickel Plated
- ELECTRICAL
- 1. Current Rating : 3AMP
 - 2. Voltage Rating : 250V AC/rms 60Hz
 - 3. Contact Resistance: 20mΩ Max at 100 mA DC
 - 4. Insulation Resistance: 1000MΩ at 500 VDC
 - 5. Withstand Voltage: 500V AC/rms 60Hz for 1 minute
 - 6. Operating Temperature: -55°C+105°C
 - 7. Solder Temperature: 220°C 5s max.

Order Code:

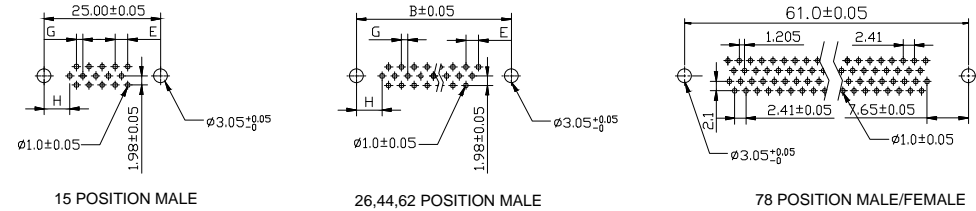
A-HD x xx PP/Z-UNC2

Contact style: F - Female, S - Male
 No. of Contacts: 15 / 26 / 44 / 62 / 78
 Standard: Quality class III



78 Positions

P.C.B LAYOUT PATTERN



15 POSITION MALE

26,44,62 POSITION MALE

78 POSITION MALE/FEMALE

Dimensions

Positions	A	B	C	E	F	G	H
15	30.81	24.99	16.92	2.29	19.20	1.145	7.04
26	39.20	33.30	25.25	2.29	27.70	1.145	6.88
44	53.05	47.04	38.96	2.29	41.10	1.145	6.88
62	69.40	63.50	55.42	2.41	57.30	1.205	7.00

RoHS compliant

Unit: mm



File No.: E198287

Scale	Free
TOLERANCE	
X.	±0.38
X.X	±0.25
X.XX	±0.13
DIM	TOL
X.°	±3°
X.X°	±1.0°
Angle	TOL

Id.	Modification	Date	Name
⑦	Correct the male terminal on page 1	11.07.2024	Peter
⑥	Add the miss dimension	24.08.2022	Daniel
⑤	Add the dimension tolerance	30.03.2022	Peter
④	Add page 3-8	22.11.2019	Carson
③	Add solder temperature	15.04.2019	Xavier
②	Correct the dimensioning of "H"	27.10.2016	Amy



Description: D-Sub Connector Male 180° THT #4-40UNC Nut	
ASSMANN WSW-No. A-HD x xx PP/Z-UNC2	
Drawing-No. ASS 4896 CO	rev07
Customer-No.	Sheet 5/8

1

2

3

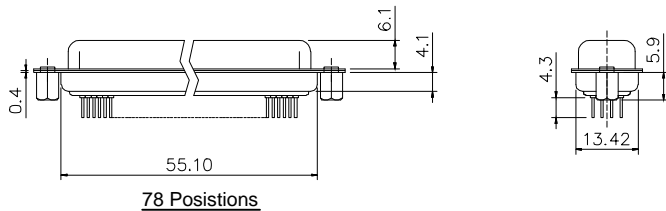
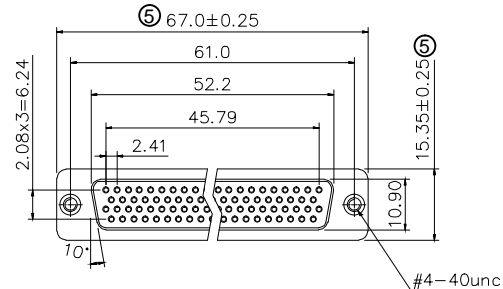
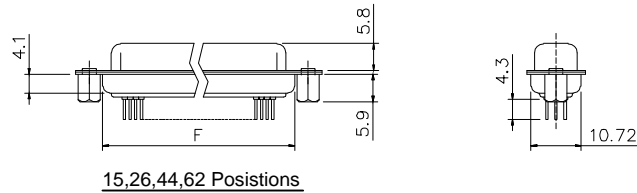
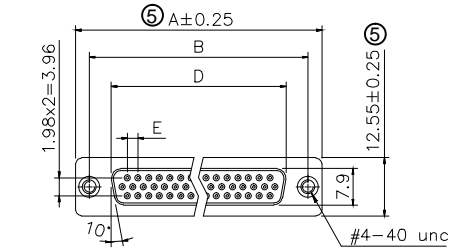
4

5

6

7

Female



NOTES:

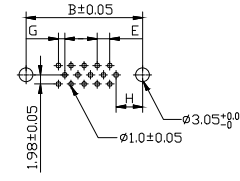
MATERIAL

- 1. Insulator Material: Glass-filled thermoplastic PBT, UL94V-0
- 2. Contact Material: Copper alloy, Gold flash selective gold
- 3. Shell: Steel, 100u" Tin over 50u" Min Copper
- 4. Clinch Nut: Brass, 100u" min Nickel Plated

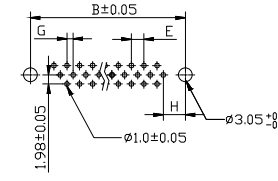
ELECTRICAL

- 1. Current Rating : 3AMP
- 2. Voltage Rating : 250V AC/rms 60Hz
- 3. Contact Resistance: 20mΩ Max at 100 mA DC
- 4. Insulation Resistance: 1000MΩ at 500 VDC
- 5. Withstand Voltage: 1000V AC/rms 60Hz for 1 minute
- 6. Operating Temperature: -55°C+105°C
- 7. Solder Temperature: 220°C 5s max.

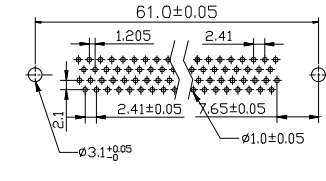
P.C.B LAYOUT PATTERN



15 POSITION FEMALE



26,44,62 POSITION FEMALE



78 POSITION MALE/FEMALE

Dimensions

Positions	A	B	D	E	F	G	H
15	30.81	24.99	16.33	2.29	19.20	1.145	7.04
26	39.20	33.30	24.70	2.29	27.70	1.145	6.88
44	53.05	47.04	38.40	2.29	41.10	1.145	6.88
62	69.40	63.50	54.80	2.41	57.30	1.205	7.00

RoHS compliant

Unit: mm



File No.: E198287

Scale Free

TOLERANCE

X. ±0.38

X.X ±0.25

X.XX ±0.13

DIM TOL

X.° ±3°

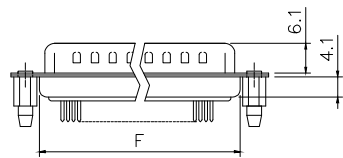
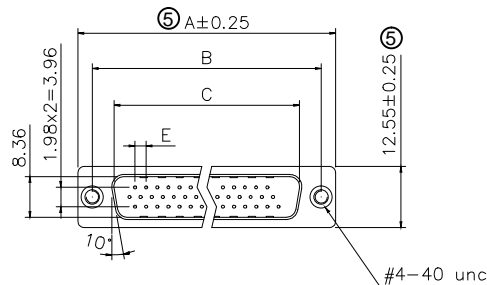
X.X° ±1.0°

Angle TOL

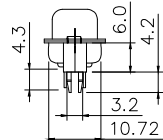
⑦	Correct the male terminal on page 1	11.07.2024	Peter		Date	Name	Description: D-Sub Connector Female 180° THT #4-40UNC Nut
⑥	Add the miss dimension	24.08.2022	Daniel	Drawn	22.11.2019	Carson	
⑤	Add the dimension tolerance	30.03.2022	Peter	Approved	11.07.2024	Peter	
④	Add page 3-8	22.11.2019	Carson				ASSMANN WSW-No. A-HD x xx PP/Z-UNC2
③	Add solder temperature	15.04.2019	Xavier				Drawing-No. ASS 4896 CO
②	Correct the dimensioning of "H"	27.10.2016	Amy				rev07
Id.	Modification	Date	Name	Customer-No.	Sheet 6/8		

Male

④



15,26,44,62 Positions



NOTES:

MATERIAL

- 1. Insulator Material: Glass-filled thermoplastic PBT, UL94V-0
- 2. Contact Material: Copper alloy, Gold flash selective gold
- 3. Shell: Steel, 100u" Tin over 50u" Min Copper
- 4. Boardlock: Brass, Tin plated

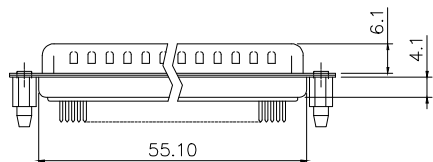
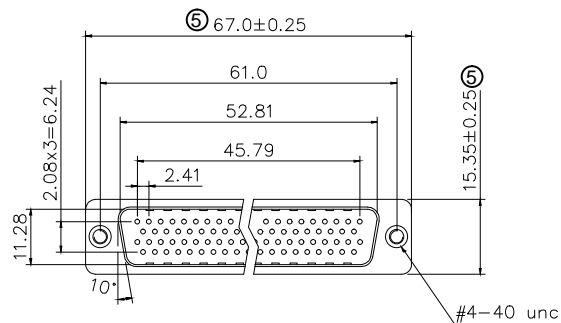
ELECTRICAL

- 1. Current Rating : 3AMP
- 2. Voltage Rating : 250V AC/rms 60Hz
- 3. Contact Resistance: 20mΩ Max at 100 mA DC
- 4. Insulation Resistance: 1000MΩ at 500 VDC
- 5. Withstand Voltage: 500V AC/rms 60Hz for 1 minute
- 6. Operating Temperature: -55°C+105°C
- 7. Solder Temperature: 220°C 5s max.

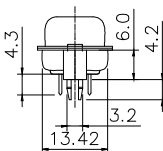
Order Code:

A-HD x xx PP/Z-UNC3

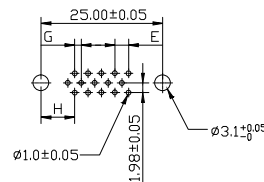
Contact style: F - Female, S - Male
No. of Contacts: 15 / 26 / 44 / 62 / 78
Standard: Quality class III



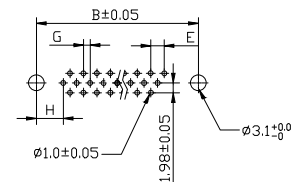
78 Positions



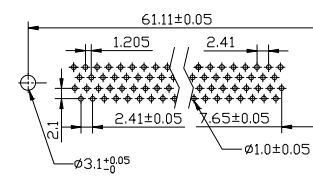
P.C.B LAYOUT PATTERN



15 POSITION MALE



26,44,62 POSITION MALE



78 POSITION MALE/FEMALE

Dimensions

Positions	A	B	C	E	F	G	H
15	30.81	24.99	16.92	2.29	19.20	1.145	7.04
26	39.20	33.30	25.25	2.29	27.70	1.145	6.88
44	53.05	47.04	38.96	2.29	41.10	1.145	6.88
62	69.40	63.50	55.42	2.41	57.30	1.205	7.00

RoHS compliant

Unit: mm



File No.: E198287

Scale	Free	⑦
TOLERANCE		⑥
X.	±0.38	⑤
X.X	±0.25	④
X.XX	±0.13	③
DIM	TOL	②
X.°	±3°	①
X.X°	±1.0°	
Angle	TOL	Id.

⑦	Correct the male terminal on page 1	11.07.2024	Peter		Date	Name
⑥	Add the miss dimension	24.08.2022	Daniel	Drawn	22.11.2019	Carson
⑤	Add the dimension tolerance	30.03.2022	Peter	Approved	11.07.2024	Peter
④	Add page 3-8	22.11.2019	Carson			
③	Add solder temperature	15.04.2019	Xavier			
②	Correct the dimensioning of "H"	27.10.2016	Amy			
Id.	Modification	Date	Name			



Description: D-Sub Connector Male 180° THT #4-40UNC Nut	
ASSMANN WSW-No. A-HD x xx PP/Z-UNC3	
Drawing-No. ASS 4896 CO	rev07
Customer-No.	Sheet 7/8

1

2

3

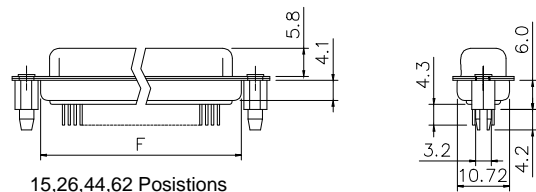
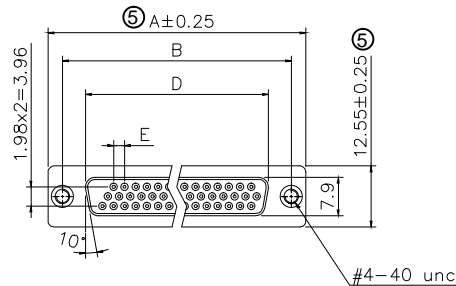
4

5

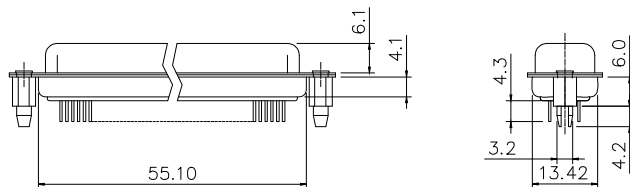
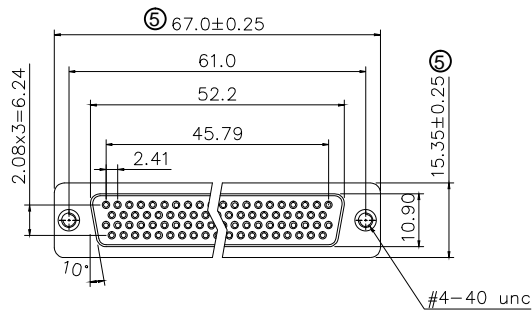
6

7

Female



15,26,44,62 Positions



78 Positions

NOTES:

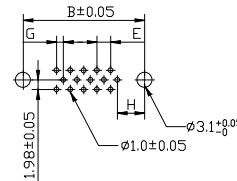
MATERIAL

- 1. Insulator Material: Glass-filled thermoplastic PBT, UL94V-0
- 2. Contact Material: Copper alloy, Gold flash selective gold
- 3. Shell: Steel, 100u" Tin over 50u" Min Copper
- 4. Boardlock: Brass, Tin Plated

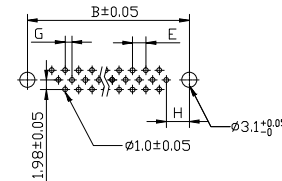
ELECTRICAL

- 1. Current Rating : 3AMP
- 2. Voltage Rating : 250V AC/rms 60Hz
- 3. Contact Resistance: 20mΩ Max at 100 mA DC
- 4. Insulation Resistance: 1000MΩ at 500 VDC
- 5. Withstand Voltage: 500V AC/rms 60Hz for 1 minute
- 6. Operating Temperature: -55°C+105°C
- 7. Solder Temperature: 220°C 5s max.

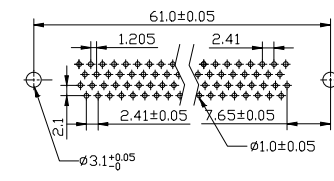
P.C.B LAYOUT PATTERN



15 POSITION FEMALE



26,44,62 POSITION FEMALE



78 POSITION MALE/FEMALE

Dimensions

Positions	A	B	D	E	F	G	H
15	30.81	24.99	16.33	2.29	19.20	1.145	7.04
26	39.20	33.30	24.70	2.29	27.70	1.145	6.88
44	53.05	47.04	38.40	2.29	41.10	1.145	6.88
62	69.40	63.50	54.80	2.41	57.30	1.205	7.00

RoHS compliant

Unit: mm



File No.: E198287

Scale	Free
TOLERANCE	
X.	±0.38
X.X	±0.25
X.XX	±0.13
DIM	TOL
X.°	±3°
X.X°	±1.0°
Angle	TOL

Id.	Modification	Date	Name
⑦	Correct the male terminal on page 1	11.07.2024	Peter
⑥	Add the miss dimension	24.08.2022	Daniel
⑤	Add the dimension tolerance	30.03.2022	Peter
④	Add page 3-8	22.11.2019	Carson
③	Add solder temperature	15.04.2019	Xavier
②	Correct the dimensioning of "H"	27.10.2016	Amy



Description: D-Sub Connector Female 180° THT #4-40UNC Nut	
ASSMANN WSW-No. A-HD x xx PP/Z-UNC3	
Drawing-No. ASS 4896 CO	rev07
Customer-No.	Sheet 8/8